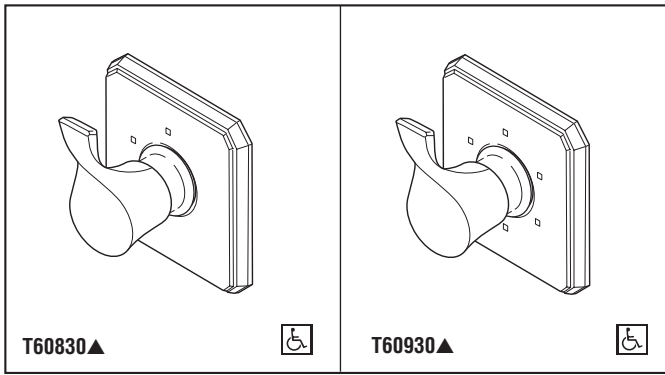


BRIZO®

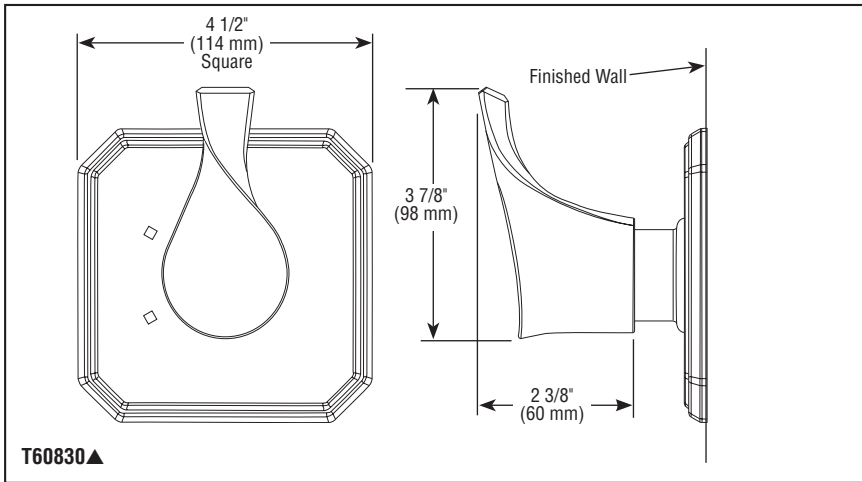
CUSTOM SHOWER DIVERTER

- Virage™ Collection
- Three Function Diverter Trim (T60830)
- Six Function Diverter Trim (T60930)

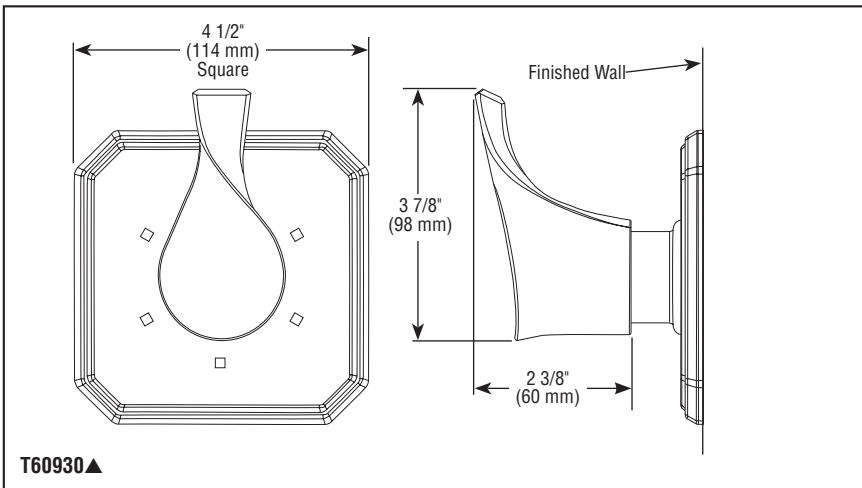


Submitted Model No.: _____

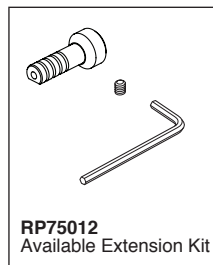
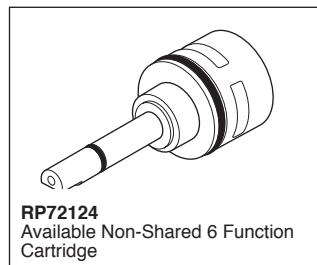
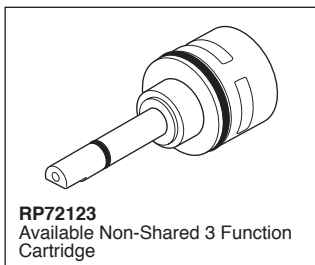
Specific Features: _____



T60830▲



T60930▲



▲ Designate proper finish suffix


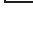
STANDARD SPECIFICATIONS

- Three function diverter. 2 individual positions, 1 shared position
- Six function diverter. 3 individual positions, 3 shared positions
- Requires rough-in R60700 to complete installation
- Non shared 3 function cartridge (RP72123) and 6 function cartridge (RP72124) are available
- Rough extension kit (RP75012) available

WARRANTY

- Lifetime limited warranty on parts (other than electronic parts and batteries) and finishes: or, for commercial users, for 5 years from date of purchase.
- 5 year limited warranty on electronic parts (other than batteries); or, for commercial users, for 1 year from the date of purchase. No warranty is provided on batteries.

COMPLIES WITH:

- ASME A112.18.1 / CSA B125.1
-  Indicates compliance to
 CC/ANSI A117.1